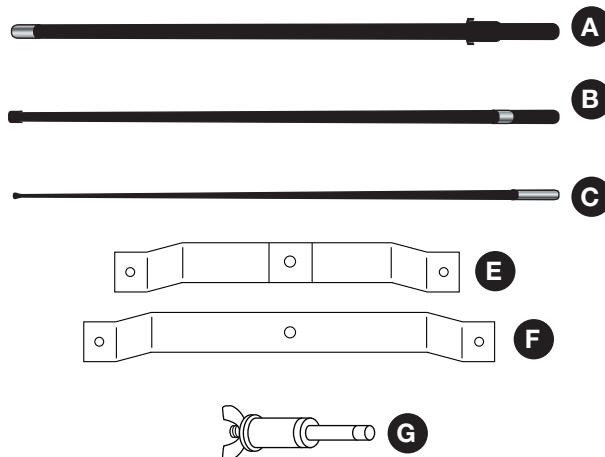


ITEMS: FF, FXB

Wave Flag with Standing Base

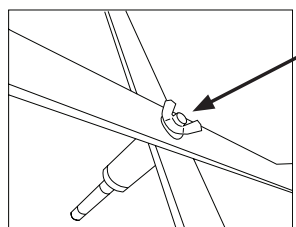
Wave Flag with Standing Base Parts:

- A. 1 Tapered Pole Segment with Clip (58")
- B. 1 Tapered Pole Segment (58")
- C. 1 Flex Pole Segment
- D. 1 10.6' Wave Flag (*Item FF*)
- E. Short Base Arm
- F. Long Base Arm
- G. Base Stem (with washer and screw)

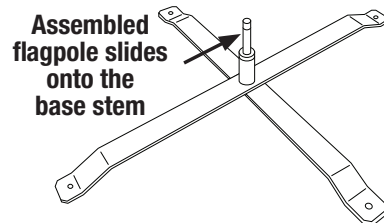


Standing Base Assembly:

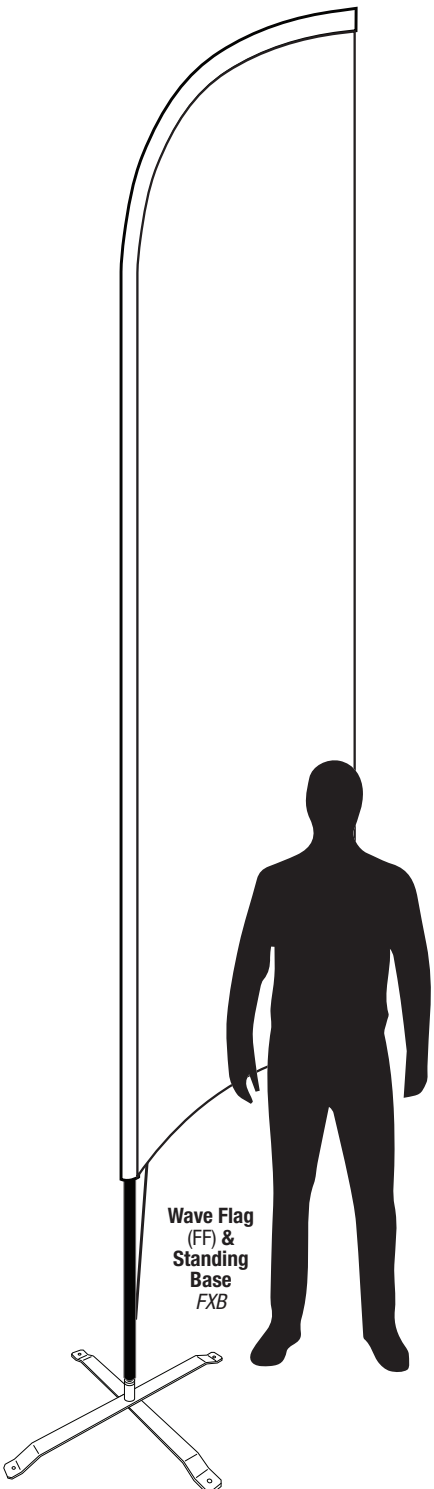
To assemble the standing base, first remove the screw and washer from the stem (G). Center the long base arm (F) perpendicularly over the long base arm (E) aligning the center holes. Put the stem through the holes and secure from the bottom with the washer and screw.



Secure stem with washer and screw at bottom of base



Assembled flagpole slides onto the base stem



Flagpole Assembly:

1. To assemble the flagpole, start with the bottom segment, the tapered pole with clip (A), and attach by sliding the wide end of pole B onto the tapered end of pole A until it is tightened securely and doesn't spin around. It is important that pole B is the middle segment of the pole.
2. Finish the pole by sliding the flexible pole (C) into the top of the assembled pole. Make sure that the three pole pieces are secured tightly to each other.
3. Starting at the top end of the pole, slide the flag sleeve down the pole and secure the sewn loop at the base of the flag to the clip at the base of pole A.
4. Slide the pole onto the stem of the standing base and you're done!

Note: If you are having problems with your flagpole spinning around and getting twisted, make sure that the pole segments are secured tightly. The tapered ends will allow the top of the pole to spin around and the flag to get tangled if they are not pushed all the way together.

NADSO'S WAVE FLAGS:

- ★ Assembles in minutes!
- ★ Durable for Outdoor Use
- ★ Flags stay open without any wind!

