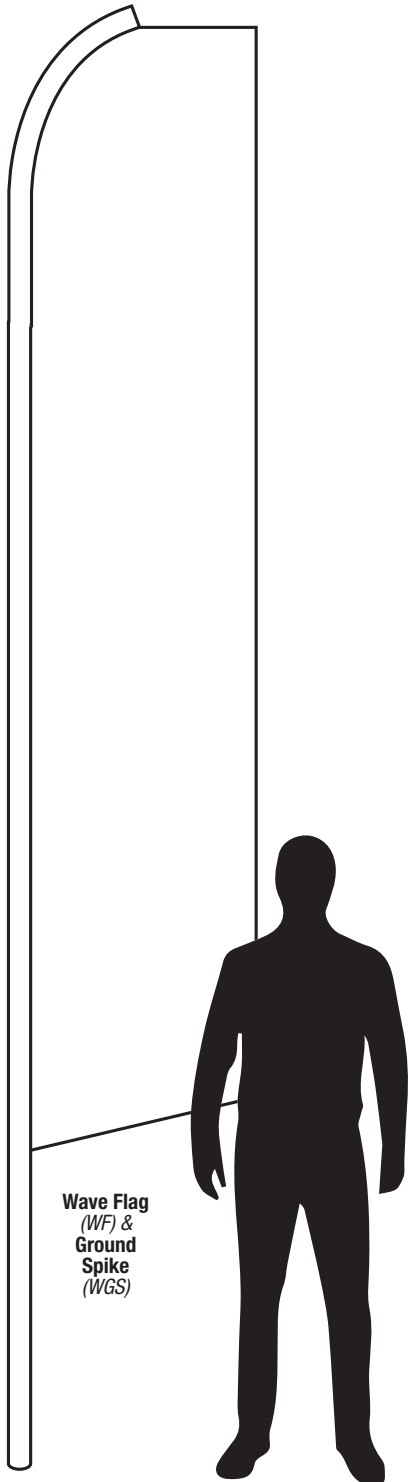


ITEMS: WF, WGS

# Wave Flag with Ground Spike

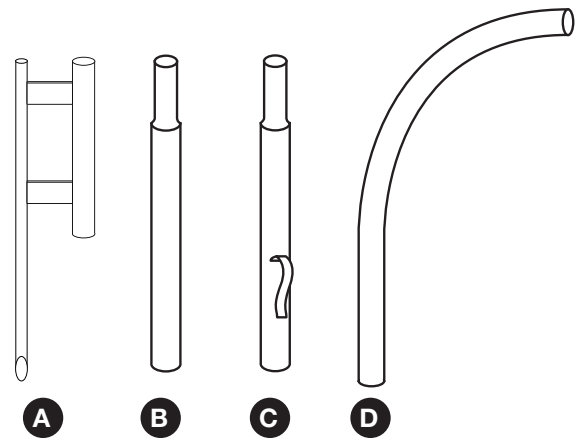


## Wave Flag with Ground Spike Parts:

- A. 1 Ground Stake (*Item WGS*)
- B. 3 Tapered Pole Segments (35.5")
- C. 1 Tapered Pole Segment with Clip (35.5")
- D. 1 Curved Pole Segment
- E. 1 11.5' Wave Flag (*Item WF*)

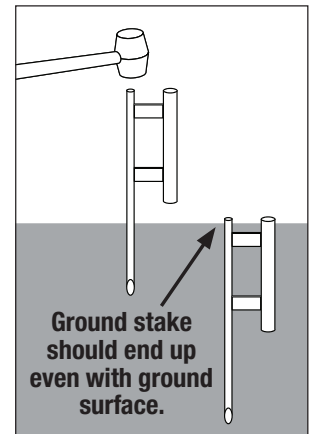
### Optional Tools Needed:

- Rubber Mallet or Hammer
- Level

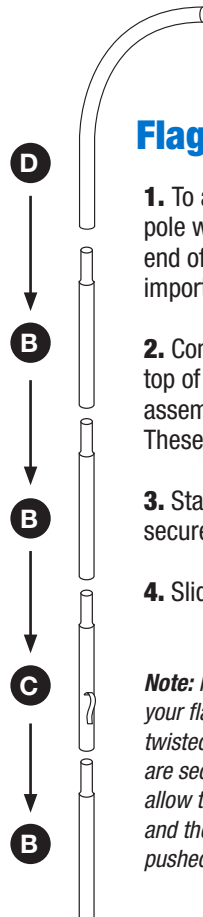


## Ground Stake Installation:

Using a rubber mallet or hammer, pound the pointed end of the ground stake into ground until it is almost flush with the surface. If possible, as you ease the stake into the ground, use a level to ensure it is completely vertical. It is important to make sure that the stake is as vertically level as possible so your flag will stand up straight and support its' weight in windy conditions.



## Flagpole Assembly:



1. To assemble the flagpole, start with one tapered pole (B) and the tapered pole with the attached clip (C). Slide the wide end of pole C onto the tapered end of pole B until it is tightened securely and doesn't spin around. It is important that pole C is the second segment from the bottom.
2. Continue stacking and securing the remaining tapered poles (B) into the top of pole C. Finish the pole by sliding the curved pole (D) into the top of the assembled pole and make sure it is curving over the top of the clip on pole B. These need to be aligned to make sure the flag does not get twisted.
3. Starting at the curved end of the pole, slide the flag down the pole and secure the sewn loop at the base of the flag to the clip on pole B.
4. Slide the pole into the open hole in the ground stake and you're done!

**Note:** If you are having problems with your flagpole spinning around and getting twisted, make sure that the pole segments are secured tightly. The tapered ends will allow the top of the pole to spin around and the flag to get tangled if they are not pushed all the way together.

### NADSO'S WAVE FLAGS:

- ★ Assembles in minutes!
- ★ Durable for Outdoor Use
- ★ Flags stay open without any wind!